

Pressure switch NO / NC CONTACT

Type 801/802 and 851/852



PRODUCT SPECIFICATION

A KANT pressure switch of type 801/802 and 851/852 has an integrated NC or NO contact. A membrane is deformed by the applied pressure or a piston is displaced via a stroke movement. The deformation or movement is dependent on an adjustable spring preload. When the switching point is reached, the membrane or the piston has experienced a defined movement by which the switch is actuated and the electrical circuit is opened or closed. Specific pressure values can be monitored via the switching signal.



Without protective cap



With protective cap PG 7



With protective cap PG 9



With protective rubber cap

► TECHNICAL DATA SPECIFICATION

SWITCHING ELEMENT	NC 801/851	NO 802/852	
REPRODUCIBILITY	~ 5%	MAX. CURRENT	2Amp
HYSTERESIS	~ 5-10%	MAX. VOLTAGE	48V/250V
SWITCHING FREQUENCY	200/min	PROTECTION CLASS	IP55
TEMPERATURE RANGE	-20 to +100° C	WEIGHT	0,09 kg

► ORDERING CODE

	SETTING RANGE	OVERPRESSURE SAFETY	ORDERING CODE 250V		ORDERING CODE 48V	
	(bar)		NC	NO	NC	NO
MEMBRANE	0,2 - 1	300 bar	801-1-ABCD	802-1-ABCD	851-1-ABCD	852-1-ABCD
	1 - 10		801-10-ABCD	802-10-ABCD	851-10-ABCD	852-10-ABCD
	2 - 20		801-20-ABCD	802-20-ABCD	851-20-ABCD	852-20-ABCD
	10 - 100	600 bar	801-100-ABCD	802-100-ABCD	851-100-ABCD	852-100-ABCD
	20 - 200		801-200-ABCD	802-200-ABCD	851-200-ABCD	852-200-ABCD
PISTON	10 - 100	600 bar	801-100-ABCD	802-100-ABCD	851-100-ABCD	852-100-ABCD
	20 - 200		801-200-ABCD	802-200-ABCD	851-200-ABCD	852-200-ABCD

► EXPLANATION ORDERING CODE

THREAD	A
G 1/8	1
G 1/4	2
M10X1 cylindric	3*
NPT 1/8	4*
R 1/8	5*
M 10X1 tapered	6*
R 1/4	7*
M12X1,5	8*
NPT 1/4	9*

HOUSING MATERIAL	C
STEEL GAL ZN 5	1
INOX 1.4305	2
Brass 60	3
INOX 1.4571	8*

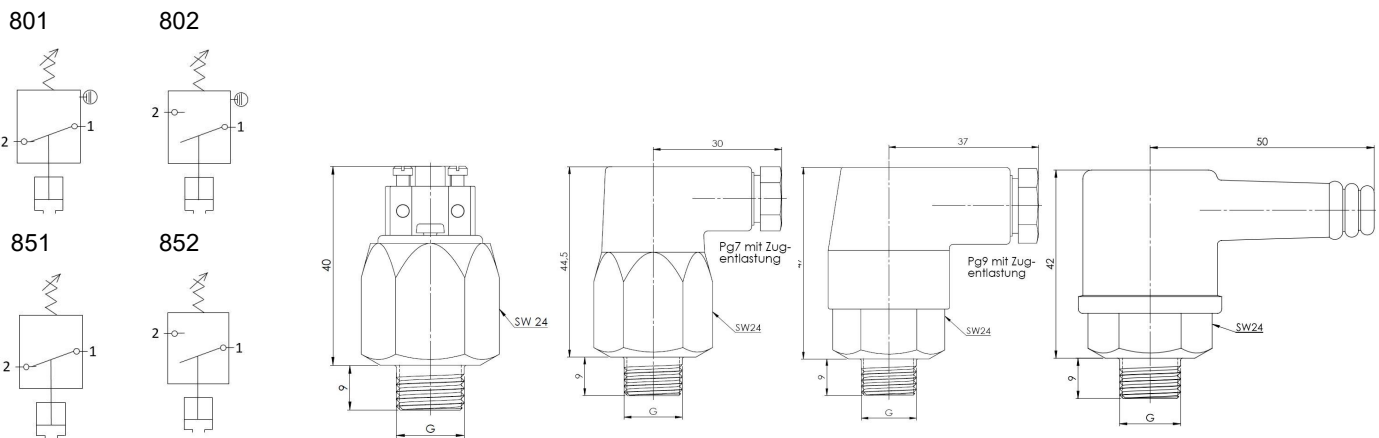
SEALING ELEMENT		B	INFORMATIONS
Membrane	NBR	1	Hydraulic oil, machine oil, fuel oil, nitrogen, sea water, compressed air
	FKM (VITON)	2	Gasoline, alcohol, hydrochloric acid, sulphuric acid, hydraulic fluids
	EPDM (APTK)	3	Hot water, hydrogen, brake fluid, acetylene etc.
	Silicone	4	Food, water etc.
Piston	Piston Seal (Oil)	8	Oil
	Piston Seal (Water)	9	Hot water

SPECIAL TYPE	D
Without	-
Switch with gold contact	1

* on enquiry

The functions „Open“, „Close“ or „Change“ relate to increasing pressure.

► CIRCUIT DIAGRAM ► DIMENSIONS



► ACCESSORIES



Protective Cap PG 7



Protective Cap PG 9 / PG 9 IP 65



Protective rubber cap (80510)

Subject to technical changes.

Kant Druckschalter GmbH; www.kant-druckschalter.de